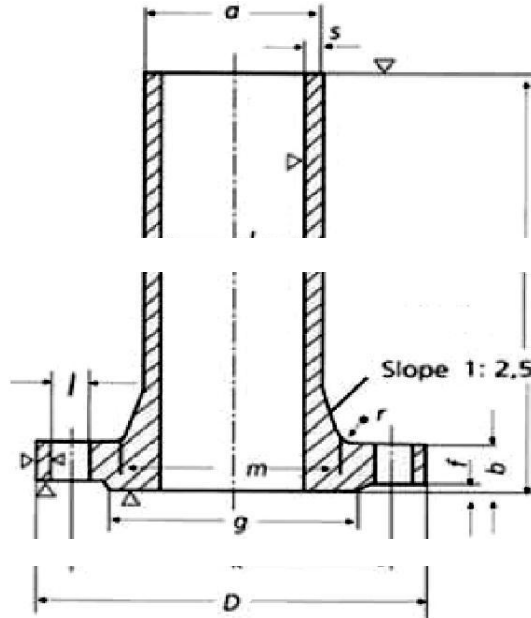




CITIZEN METALS PVT. LTD
AN ISO 9001:2008/ 14001:2004/ 18001:2007
CERTIFIED COMPANY

DIN 28115 Long Neck Welding Flange PN25 Dimension



PN25																			
DN	Nominal Pressure Kg/cm ²			Service Pressure to 200°C	a	s	D	j	b	h	m	r	g	f	k	No. of holes	l	Thread	KG
25	16	25	40	32	38	7	115	24	18	120	50	8	68	2	85	4	14	M12(1/2")	1.9
32	16	25	40	32	51	8	140	35	18	120	62	8	78	2	100	4	18	M16(5/8")	3.0
40	16	25	40	32	57	8	150	41	18	120	70	8	88	3	110	4	18	M16(5/8")	3.2
50	16	25	40	32	70	8	165	54	20	120	85	8	102	3	125	4	18	M16(5/8")	4.5
65	16	.	.	13	89	8	185	73	22	170	104	8	122	3	145	4	18	M16(5/8")	7.5
	.	25	40	32	89	8	185	73	22	170	104	8	122	3	145	8	18	M16(5/8")	7.3
80	16	.	.	13	102	8	200	86	24	170	118	8	138	3	160	8	18	M16(5/8")	8.4
	.	25	40	32	102	8	200	86	24	170	118	8	138	3	160	8	18	M16(5/8")	8.4
100	16	.	.	13	121	10	220	101	24	170	138	8	158	3	180	8	18	M16(5/8")	9.8
125	16	.	.	13	146	10	250	126	26	170	164	10	188	3	210	8	18	M16(5/8")	12.6
150	16	.	.	13	171	10	285	151	28	170	188	10	212	3	240	8	23	M20(3/4")	15.8
200	16	.	.	13	224	10	340	204	34	170	246	10	268	3	295	12	23	M20(3/4")	24.2

Stainless Steel DIN28115 PN25 Long Neck Welding Flange Dimensions, Carbon Steel DIN28115 PN25 Long Neck Welding Flange Dimensions, Alloy Steel DIN28115 PN25 Long Neck Welding Flange Dimensions

Tel : +91-22-61905600

Url : www.citizenflanges.com

Email : exports@citizenmetals.com