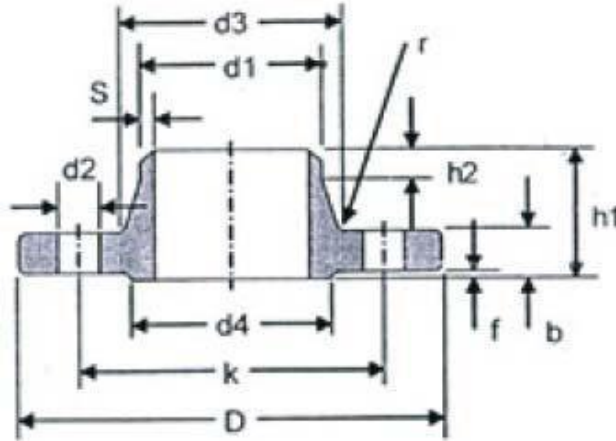




CITIZEN METALS PVT. LTD
AN ISO 9001:2008/ 14001:2004/ 18001:2007
CERTIFIED COMPANY

DIN 2632 Welding Neck Flange PN10 Dimension



| DN | d1 | | D | b | k | h1 | d3 | S | r | h2 | d4 | f | No. of holes | d2 | KG |
|-----|-------|------|-----|----|-----|----|-----|-----|----|----|-----|---|--------------|----|-------|
| | ISO | DIN | | | | | | | | | | | | | |
| 10 | - | 14 | 90 | 14 | 60 | 35 | 25 | 1.8 | 4 | 6 | 40 | 2 | 4 | 14 | 0.58 |
| | 17.2 | - | 90 | 14 | 60 | 35 | 28 | 1.8 | 4 | 6 | 40 | 2 | 4 | 14 | 0.58 |
| 15 | - | 20 | 95 | 14 | 65 | 35 | 30 | 2 | 4 | 6 | 45 | 2 | 4 | 14 | 0.65 |
| | 21.3 | - | 95 | 14 | 65 | 35 | 32 | 2 | 4 | 6 | 45 | 2 | 4 | 14 | 0.65 |
| 20 | - | 25 | 105 | 16 | 75 | 38 | 38 | 2.3 | 4 | 6 | 58 | 2 | 4 | 14 | 0.95 |
| | 26.9 | - | 105 | 16 | 75 | 38 | 40 | 2.3 | 4 | 6 | 58 | 2 | 4 | 14 | 0.95 |
| 25 | - | 30 | 115 | 16 | 85 | 38 | 42 | 2.6 | 4 | 6 | 68 | 2 | 4 | 14 | 1.15 |
| | 33.7 | - | 115 | 16 | 85 | 38 | 45 | 2.6 | 4 | 6 | 68 | 2 | 4 | 14 | 1.14 |
| 32 | - | 38 | 140 | 16 | 100 | 40 | 52 | 2.6 | 6 | 6 | 78 | 2 | 4 | 18 | 1.67 |
| | 42.4 | - | 140 | 16 | 100 | 40 | 55 | 2.6 | 6 | 6 | 78 | 2 | 4 | 18 | 1.65 |
| 40 | - | 44.5 | 150 | 16 | 110 | 42 | 60 | 2.6 | 6 | 7 | 88 | 3 | 4 | 18 | 1.85 |
| | 48.3 | - | 150 | 16 | 110 | 42 | 64 | 2.6 | 6 | 7 | 88 | 3 | 4 | 18 | 1.83 |
| 50 | - | 57 | 165 | 18 | 125 | 45 | 72 | 2.9 | 6 | 8 | 102 | 3 | 4 | 18 | 2.51 |
| | 60.3 | - | 165 | 18 | 125 | 45 | 75 | 2.9 | 6 | 8 | 102 | 3 | 4 | 18 | 2.48 |
| 65 | 76.1 | - | 165 | 18 | 145 | 45 | 90 | 2.9 | 6 | 10 | 122 | 3 | 4 | 18 | 3.03 |
| 80 | 88.9 | - | 200 | 20 | 160 | 50 | 105 | 3.2 | 6 | 10 | 138 | 3 | 8 | 18 | 3.82 |
| 100 | - | 108 | 220 | 20 | 180 | 52 | 125 | 3.6 | 8 | 12 | 158 | 3 | 8 | 18 | 4.54 |
| | 114.3 | - | 220 | 20 | 180 | 52 | 131 | 3.6 | 8 | 12 | 158 | 3 | 8 | 18 | 4.41 |
| 125 | - | 133 | 250 | 22 | 210 | 55 | 150 | 4 | 8 | 12 | 188 | 3 | 8 | 18 | 6.28 |
| | 139.7 | - | 250 | 22 | 210 | 55 | 156 | 4 | 8 | 12 | 188 | 3 | 8 | 18 | 6.07 |
| 150 | - | 159 | 285 | 22 | 240 | 55 | 175 | 4.5 | 10 | 12 | 212 | 3 | 8 | 22 | 7.75 |
| | 168.3 | - | 285 | 22 | 240 | 55 | 184 | 4.5 | 10 | 12 | 212 | 3 | 8 | 22 | 7.40 |
| 200 | 219.1 | - | 340 | 24 | 295 | 62 | 235 | 5.9 | 10 | 16 | 268 | 3 | 8 | 22 | 11.10 |
| 250 | - | 267 | 395 | 26 | 350 | 68 | 285 | 6.3 | 12 | 16 | 320 | 3 | 12 | 22 | 15.31 |
| | 273 | - | 395 | 26 | 350 | 68 | 292 | 6.3 | 12 | 16 | 320 | 3 | 12 | 22 | 14.92 |
| 300 | 323.9 | - | 445 | 26 | 400 | 68 | 344 | 7.1 | 12 | 16 | 370 | 4 | 12 | 22 | 17.47 |
| 350 | 355.6 | - | 505 | 26 | 460 | 66 | 385 | 7.1 | 12 | 16 | 430 | 4 | 16 | 22 | 23.7 |
| | - | 368 | 505 | 26 | 460 | 68 | 385 | 7.1 | 12 | 16 | 430 | 4 | 16 | 22 | 21.71 |
| 400 | 406.4 | - | 565 | 26 | 515 | 72 | 440 | 7.1 | 12 | 16 | 482 | 4 | 16 | 26 | 28.72 |
| | - | 419 | 565 | 26 | 515 | 72 | 440 | 7.1 | 12 | 16 | 482 | 4 | 16 | 26 | 26.27 |

| DN | d1 | | D | b | k | h1 | d3 | S | r | h2 | d4 | f | No. of holes | d2 | KG |
|----|-----|-----|---|---|---|----|----|---|---|----|----|---|--------------|----|----|
| | ISO | DIN | | | | | | | | | | | | | |

| | | | | | | | | | | | | | | | |
|------|-------|---|------|----|------|-----|------|-----|----|----|------|---|----|----|---------|
| 450 | 457.2 | - | 615 | 26 | 565 | 72 | 478 | 7.1 | 12 | 16 | 532 | 4 | 20 | 26 | 30.40 |
| 500 | 508 | - | 670 | 28 | 620 | 75 | 542 | 7.1 | 12 | 16 | 585 | 4 | 20 | 26 | 38.27 |
| 600 | 610 | - | 780 | 28 | 725 | 80 | 642 | 7.1 | 12 | 18 | 685 | 5 | 20 | 30 | 46.56 |
| 700 | 711 | - | 895 | 30 | 840 | 80 | 745 | 8 | 12 | 18 | 800 | 5 | 24 | 30 | 62.30 |
| 800 | 813 | - | 1015 | 32 | 950 | 90 | 850 | 8 | 12 | 18 | 905 | 5 | 24 | 33 | 83.81 |
| 900 | 914 | - | 1115 | 34 | 1050 | 95 | 950 | 10 | 12 | 20 | 1005 | 5 | 28 | 33 | 102.45 |
| 1000 | 1016 | - | 1230 | 34 | 1160 | 95 | 1052 | 10 | 16 | 20 | 1110 | 5 | 28 | 36 | 118.53 |
| 1200 | 1220 | - | 1455 | 36 | 1380 | 115 | 1255 | 11 | 16 | 25 | 1330 | 5 | 32 | 39 | 178.18 |
| 1400 | 1420 | - | 1675 | 42 | 1590 | 120 | 1460 | 12 | 16 | 25 | 1535 | 5 | 36 | 42 | 244.75 |
| 1600 | 1620 | - | 1915 | 46 | 1820 | 130 | 1665 | 14 | 16 | 25 | 1760 | 5 | 40 | 48 | 353.74 |
| 1800 | 1820 | - | 2115 | 50 | 2020 | 140 | 1868 | 15 | 16 | 30 | 1960 | 5 | 44 | 48 | 436.33 |
| 2000 | 2020 | - | 2325 | 54 | 2230 | 150 | 2072 | 16 | 16 | 30 | 2170 | 5 | 46 | 48 | 548.04 |
| 2200 | 2220 | - | 2550 | 58 | 2440 | 160 | 2275 | 18 | 18 | 35 | 2370 | 5 | 52 | 56 | 685.10 |
| 2400 | 2420 | - | 2760 | 62 | 2650 | 170 | 2478 | 20 | 18 | 35 | 2570 | 5 | 56 | 56 | 640.04 |
| 2600 | 2620 | - | 2860 | 66 | 2850 | 180 | 2690 | 22 | 18 | 40 | 2780 | 6 | 60 | 56 | 990.16 |
| 2800 | 2820 | - | 3180 | 70 | 3070 | 190 | 2882 | 22 | 18 | 40 | 3000 | 6 | 64 | 56 | 1187.16 |
| 3000 | 3020 | - | 3405 | 75 | 3290 | 200 | 3085 | 24 | 18 | 45 | 3210 | 6 | 65 | 62 | 1437.06 |

Stainless Steel DIN2632 PN10 Weldneck Flange Dimensions, Carbon Steel DIN2632 PN10 Weldneck Flange Dimensions, Alloy Steel DIN2632 PN10 Weldneck Flange Dimensions

Tel : +91-22-61905600

Url : www.citizenflanges.com

Email : exports@citizenmetals.com