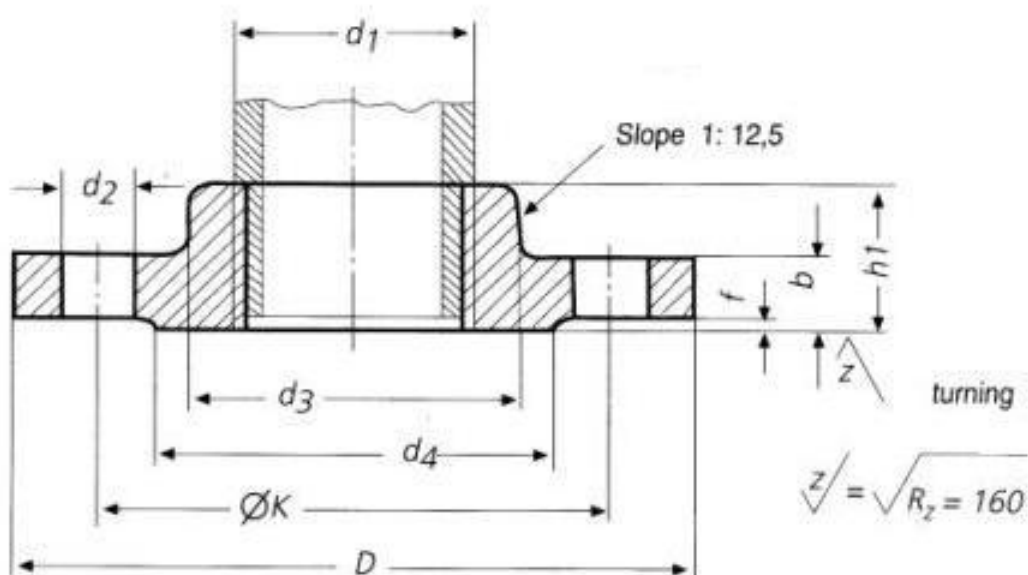




**CITIZEN METALS PVT. LTD**  
 AN ISO 9001:2008/ 14001:2004/ 18001:2007  
 CERTIFIED COMPANY

## DIN 2567 Threaded Flange With Neck PN25 Dimension



DN	D1	Thread DIN 2999	D	b	k	h1	d3	d4	f	No. of holes	Threa d	d2	KG
6	10.2	R1/8	75	14	50	20	20	32	2	4	M10	11	0.388
8	13.5	R1/4	80	14	55	20	25	38	2	4	M10	11	0.450
10	17.2	R3/8	90	16	60	22	30	40	2	4	M12	14	0.630
15	21.3	R1/2	95	16	65	22	35	45	2	4	M12	14	0.710
20	26.9	R3/4	105	18	75	26	45	58	2	4	M12	14	1.030
25	33.7	R1	115	18	85	28	52	68	2	4	M12	14	1.280
32	42.4	R1.1/4	140	18	100	30	60	78	2	4	M16	18	1.870
40	48.3	R1.1/2	150	18	110	32	70	88	3	4	M16	18	2.140
50	60.3	R2	165	20	125	34	85	102	3	4	M16	18	2.850
65	76.1	R2.1/2	185	22	145	38	105	122	3	8	M16	18	3.850
80	88.9	R3	200	24	160	40	118	138	3	8	M16	18	4.800
100	114.3	R4	235	24	190	44	145	162	3	8	M20	22	6.430
125	139.7	R5	270	26	220	48	170	188	3	8	M24	26	8.770
150	165.1	R6	300	28	250	52	200	218	3	8	M24	26	10.500

Stainless Steel DIN2567 PN40 Threaded Flange Dimensions, Carbon Steel DIN2567 PN40 Threaded Flange Dimensions,  
 Alloy Steel DIN2567 PN40 Threaded Flange Dimensions

Tel : +91-22-61905600

Url : [www.citizenflanges.com](http://www.citizenflanges.com)

Email : [exports@citizenmetals.com](mailto:exports@citizenmetals.com)